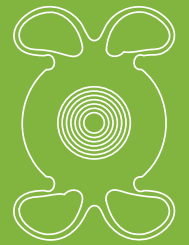


FLEXM

640MY

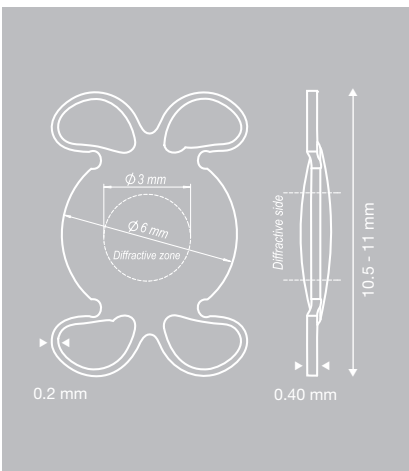
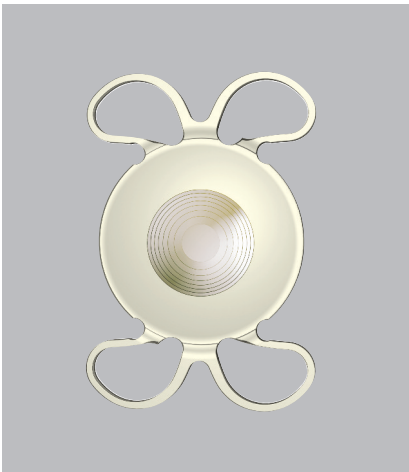
Hydrophilic Progressive  
Diffractive IOL





FLEXM

640MY  
Hydrophilic Progressive  
Diffractive IOL



**Technical specifications**

Type	Single-piece multifocal progressive intraocular lens
	for capsular bag implantation
Optic	Diffractive – Aspheric
PCO protection	360° Special Square Edge (patented)
Estimated incision size	from 1.8 to 2.2 mm
Powers available*	0.0 D → +35.0 D (increment: 0.5 D)
Addition	+3.0 D; +3.5 D
Estimated A-Constant**	118.9 (SRK/T)
Sterilization	Steam

**Material**

640 MY	Copolymer of Hydrophilic and Hydrophobic Acrylic,
	25% water content with UV absorber and blue light filter
Refractive index	1.46
ABBE Number	58

**Geometry**

Optic design	Biconvex
Overall length	0.0 D → +15.0 D · 11.0 mm
	+15.5 D → +22.0 D · 10.7 mm
	+22.5 D → +35.0 D · 10.5 mm
Optic diameter	6.0 mm
Haptic thickness	0.40 mm
Haptic angulation	0° – asymmetrical design with posterior vaulting

**Storage**

Temperature	+15 °C – +35 °C
Humidity	15% – 50%
Shelf life	5 years (from sterilization)

\* Other powers upon request

\*\* It is recommended that surgeons personalize the constants they use. Please find more information about IOL constants on ULIB. (<http://www.ocusoft.de/ulib/c1.htm>)



**Medicentur**  
 Medical Engineering Ltd  
 export@medicentur.com  
 www.medicentur.com

**Head Office**  
 Herceghalmi Road  
 2072 Zsámbék  
 Hungary

**International Office**  
 Chemin des Aulx 18  
 1228 Plan-les-Ouates  
 Geneva/Switzerland